

T120/T126J

TELESCOPIC BOOM LIFTS



- Reliable & robust diesel telescopic boom lifts
- Available with and without a jib boom
- Powerful 4 wheel drive
- Simple to operate and maintain
- Ideal for construction applications

 **snorkel**
www.snorkellifts.com

TELESCOPIC BOOM LIFTS

T120/T126J

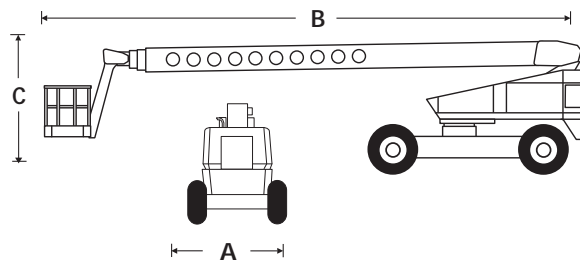
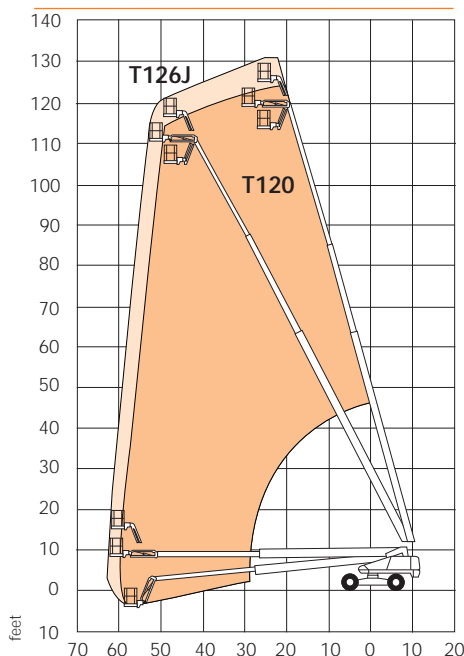
DIMENSIONS	T120	T126J
Max. working height	126 ft	132 ft
Max. platform height	120 ft	126 ft
Max. horizontal reach	62 ft	62 ft 11 in
Platform size	8 ft x 2ft 5 in	8 ft x 2ft 5 in
Overall width (A)	8 ft 6 in	8 ft 6 in
Operational width	12 ft 9 in	12 ft 9 in
Overall length (B)	42 ft 3 in	44 ft 9 in
Stowed height (C)	10 ft	10 ft 5 in
Ground clearance	13 in	13 in

PERFORMANCE	T120	T126J
Platform capacity (SWL)	500 lbs	600 lbs
Max. drive height	120 ft	126 ft
Max. drive speed (stowed)	2.9 mph	2.9 mph
Max. drive speed (elevated)	0.5 mph	0.5 mph
Jib length	n/a	6 ft
Jib working arc	n/a	75°
Platform rotation	180°	180°
Superstructure rotation	continuous	continuous
Raise/lower time	208/215 seconds	208/215 seconds
Gradeability	30%	30%
Inside turning radius	19 ft	19 ft
Tires	18 x 22.5 foam filled loader lug	
Controls	proportional joystick	
Drive system	4 wheel drive	

POWER	T120	T126J
Power source options	Cummins 3.3 liter water cooled diesel 65hp GM 3L Gas/Dual Fuel liquid cooled engine	

WEIGHT	T120	T126J
Weight	39,500 lbs	42,150 lbs

WORKING ENVELOPE



STANDARD FEATURES

- 6 ft, 75° jib (T126J)
- Hydraulic powered platform rotation
- 4 wheel drive
- Proportional control of drive, boom lift and rotate
- Power line to platform
- Flashing amber light
- Horn
- Tilt alarm
- Foam filled lug tires
- Emergency lowering at chassis and platform
- Driveable at full height
- Hydraulic extending rear axle
- Drive motion alarm
- Envelope management system
- ANSI compliant

OPTIONS

- Special paint colors
- AC generator 110kW 2kW
- Cold weather package
- Airline to platform
- Extreme cold weather package
- Light package
- Tow package
- Glazier package
- Extreme environment package
- 12kW generator package
- 12kW generator/welder package
- Environmental green oil
- CSA compliant

snorkel www.snorkellifts.com

P.O. Box 1160
St. Joseph, MO 64502-1160, USA
Tel: 1 (785) 989-3000
Toll-free: 1 (800) 255-0317
Fax: 1 (785) 989-3070
Email: sales.usa@snorkellifts.com